

# ElectricSolenoidValves.com

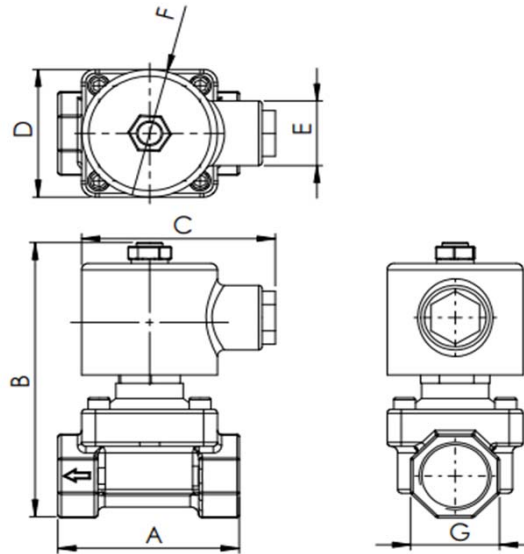


The Stainless Steel -Series Semi-Direct acting, 2 Way General Purpose Solenoid Valves provide on-off control of inert liquids and gases. Suitable for commercial and residential applications. This valve type is gravity feed capable and is ideal for low pressure fluid applications. Available in sizes from 1/2" - 2" in both Normally Closed and Normally Open operating positions.

\*These valves are not intended for use in medical life support, combustion, aviation, aerospace, automotive or similar applications.

Materials	
Valve Body	SS 304
Seal	FKM
Shading Ring	Copper
Hardware	S/S

Electrical				
Connection Type	N/C - 5.5" Lead	N/O - DIN		
Protection Class	NEMA 3	IP54		
Available Voltages	DC: 24V	DC: 12V	AC: 24V/60Hz	AC: 110V/60Hz
Power 3/8" - 1"	28 W	18 W	28 W	28 W
Power 1-1/4" - 2"	40 W	30 W	40 W	40 W



Stainless Steel - Series										Dimensions						
Port Size	Thread	Orifice	Cv Value	Min PSI	Max PSI	Operating Temp		Duty Cycle	Weight	A	B	C	D	E	F	G
						Min	Max									
Normally Closed																
1/2"	NPT	5/8	4.8	0	AC145 DC115	15°F	250°F	100%	1lb 7oz	2.36"	4.00"	2.83"	2.00"	1.00"	1.96"	1.06"
3/4"	NPT	3/4	7.6	0	AC145 DC115	15°F	250°F	100%	1lb 10oz	2.65"	4.25"	2.83"	2.00"	1.00"	1.96"	1.30"
1"	NPT	1	12	0	AC145 DC115	15°F	250°F	100%	2lb 5oz	3.25"	4.50"	2.83"	2.60"	1.00"	1.96"	1.57"
1-1/2"	NPT	1 4/7	29	0	AC145 DC90	15°F	250°F	100%	4lb 14oz	4.33"	6.00"	3.55"	3.35"	1.00"	2.70"	2.20"
2"	NPT	1 7/8	48	0	AC145 DC90	15°F	250°F	100%	7lbs	5.30"	6.50"	3.55"	4.25"	1.00"	2.70"	2.66"
Normally Open																
1/2"	NPT	5/8	4.8	0	90	15°F	250°F	100%	1lb 9oz	2.36"	4.50"	3.50"	1.95"	.80"	1.96"	1.06"
3/4"	NPT	3/4	7.6	0	90	15°F	250°F	100%	1lb 13oz	2.65"	4.70"	3.50"	2.00"	.80"	1.96"	1.30"
1"	NPT	1	12	0	90	15°F	250°F	100%	2lb 7oz	3.20"	5.00"	3.50"	2.60"	.80"	1.96"	1.57"
1-1/2"	NPT	1 4/7	29	0	90	15°F	250°F	100%	5lb 2oz	4.33"	7.00"	4.50"	3.25"	1.15"	2.75"	2.25"
2"	NPT	1 7/8	48	0	90	15°F	250°F	100%	7lb 8oz	5.30"	7.50"	4.50"	4.25"	1.15"	2.75"	2.75"

\*Consult a chemical compatibility expert for correct seal and valve body material choice.

\*Weight and dimensions may vary slightly from production.